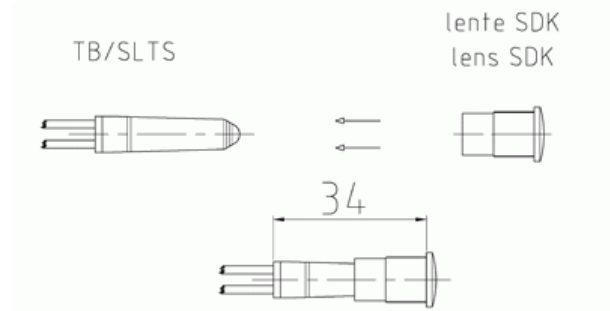


Ø 12mm

## TB/SLTS/SDK



### **YOU CAN REQUEST IT WITH IP65 (TOTALLY WATERPROOF)**

Screw locking light indicator.

There is the opportunity to request the lens and the screw assembled or apart (not assembled on the plastic case).

<b>Working voltage</b>	6V ; 12V ; 24V ; 48V ; 110V ; 250V ; 400V
<b>Max temperature</b>	90°C ; 120°C ; 150°C
<b>Hole diameter</b>	12mm +0,25-0
<b>Panel thickness</b>	from 0,5mm to 5mm
<b>Way of locking on the panel</b>	with screw
<b>Lamp type</b>	incandescent lamp ; neon/fluorescent lamp ; LED lamp lamp
<b>Connection way</b>	pvc cable ; silicon cable ; silicon-glass cable
<b>Wire ends</b>	on request
<b>Lens type</b>	suitable for a 12mm hole (lens type: SDK)
<b>Lens – case connection</b>	extractable
<b>Approvals</b>	VDE - UL/CSA - CE