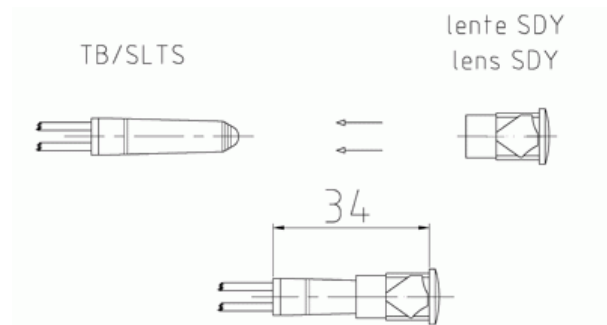


Ø 12mm

TB/SLTS/SDY



YOU CAN REQUEST IT WITH IP65 (TOTALLY WATERPROOF)

Self locking light indicator.

There is the opportunity to request the lens assembled or apart (not assembled on the plastic case).

Working voltage	6V ; 12V ; 24V ; 48V ; 110V ; 250V ; 400V
Max temperature	90°C ; 120°C ; 150°C
Hole diameter	12mm +0,25-0
Panel thickness	from 0,8mm to 2mm
Way of locking on the panel	self locking
Lamp type	incandescent lamp ; neon/fluorescent lamp ; LED lamp lamp
Connection way	pvc cable ; silicon cable ; silicon-glass cable
Wire ends	on request
Lens type	suitable for a 12mm hole (lens type: SDY)
Lens – case connection	extractable
Approvals	VDE - UL/CSA - CE